

**B**

**B107 PIERCING CONNECTOR LOW VOLTAGE**



PCT23



PCT23B

**PRODUCT DESCRIPTION:**

PC T ab(B) x/y

PC = Piercing CONNECTOR

T = Tear head; B= BARE; a= bolt No.; b= outlet number; x= Max of main cond.; y= Max of Tap cond.

Purpose of Insulation piercing connectors(IPC) is to connect main and one (PC13), two (PC14) tap conductor's of section, how is written on IPC body. Type without letter B serves to connect isolated conductors, with letter B bare conductors. IPC for one tap conductor is equipped with cable termination

IPC consists from two glass-fiber reinforced plastic parts, which are fitted with two brass tinned teeth's, which are coated with UV-curing silica grease and the teeth are fitted with rubber insulation. This set is associated with the bolt, nut and pinch fixation segment. The terminals marked T are equipped with tear head. The lower part of the clamp is designed to be hold by the key 13 and the ventilation chamber, providing optimal ventilation of IPC.

Product can be also used as tap connector inside low voltage boxes.

**PRODUCT RANGE:**

PCT23 240/150 RE/RM, isolated 50-150/ isolated 95-240 mm<sup>2</sup>, Cu/Al.

PCT23 240/240 RE/RM, isolated 95-240/ isolated 95-240 mm<sup>2</sup>, Cu/Al.

PCT23B 240/240 RE/RM, bare 95-240/ isolated 95-240 mm<sup>2</sup>, Cu/Al.

PCT23B 240/150 RE/RM, bare 50-150/ isolated 95-240 mm<sup>2</sup>, Cu/Al.

**USED MATERIALS:**

UV & fire resistant PA66 ,PVC, dacromet or H.D.G.(optional) finished steel, tinned brass/copper.

default offer is copper, if brass or aluminum should be required

**PACKING:**

40pcs per carton. G.W: 18 kg  
N.W: 19kg

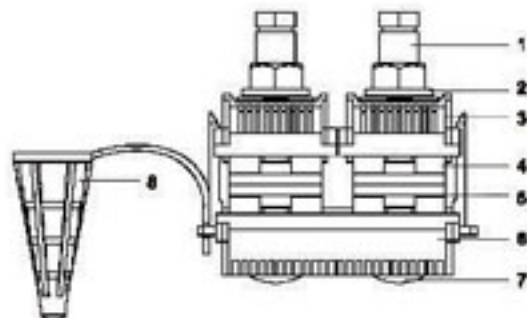
**VARIANTS:**

The product is manufactured and supplied in modification's as is showed upwards in product range.

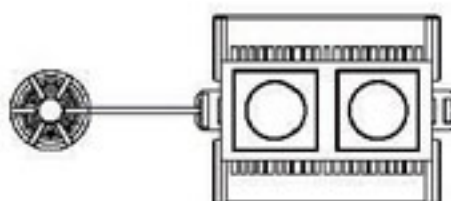
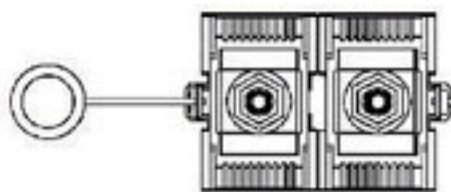
**STORAGE AND TRANSPORT:**

Product do not have any specific requirements on storage. It is fire-resistant and it is not dangerous.

**B108 PIERCING CONNECTOR LOW VOLTAGE PCT23C 240/240(JBC3 95-240)**



1. Shear head - Zinc Alloy
2. Washer - H.D.G steel or DACROMET
3. Upper body - PA 66
4. Waterproof sealing - RUBBER
5. Connecting blades - Tinned brass
6. Lower body - PA 66
7. Bolt - H.D.G steel or DACROMET
8. PVC end cap



**PRODUCT RANGE:**

PCT23C 240/95RE/RM, isolated 50-240mm<sup>2</sup>/  
isolated 50-95 mm<sup>2</sup>, Cu/Al.

**USED MATERIALS:**

UV & fire resistant PA66, PVC, dacromet or H.D.G.(optional) finished steel, tinned brass.

**VARIANTS:**

The product is manufactured and supplied in modification's as is showed upwards in product range.

**PACKING**

Carton dimensions: 405x270x385  
Contain: 60pcs. G.W: 575 g/pc. N.W: 542 g/pc.

**STORAGE AND TRANSPORT:**

Product do not have any specific requirements on storage. Its is fire-resistant and it is not dangerous.